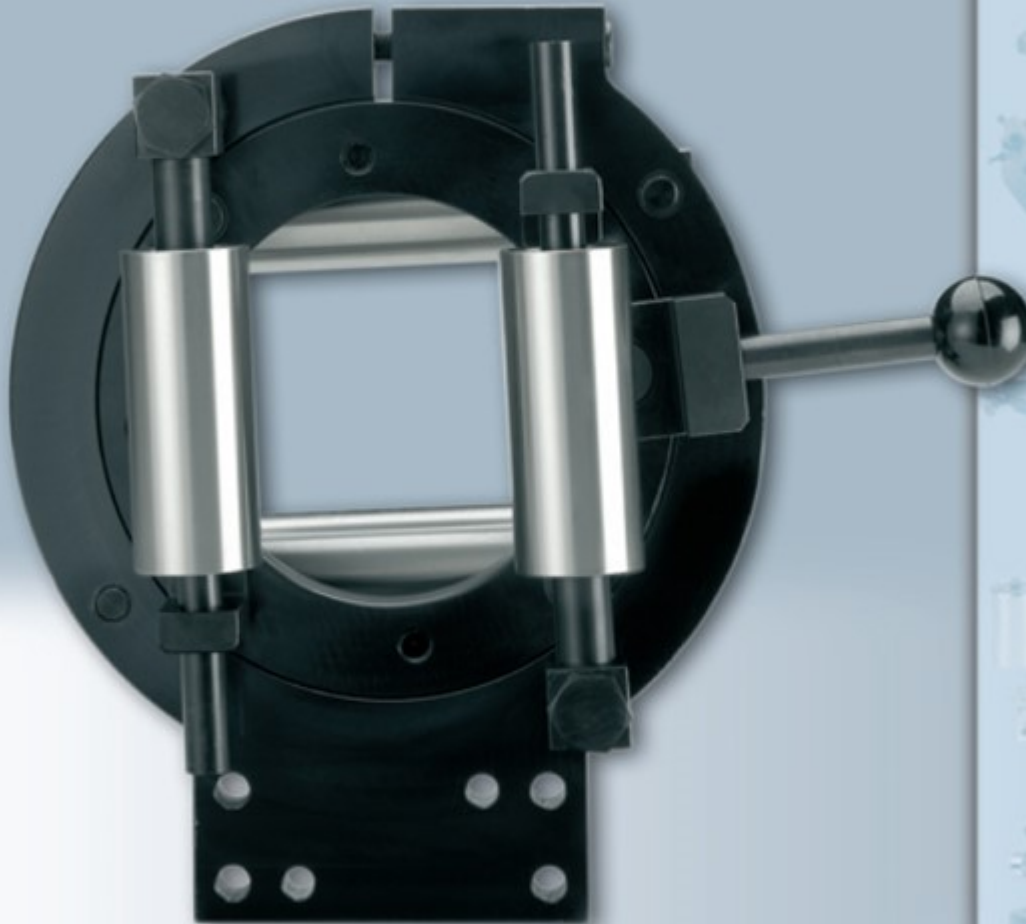


CC

CENTRACAVO
CABLE CENTERING



cometo
ATTREZZATURE PER FILO METALLICO

CC

Centracavo
Cable
centering

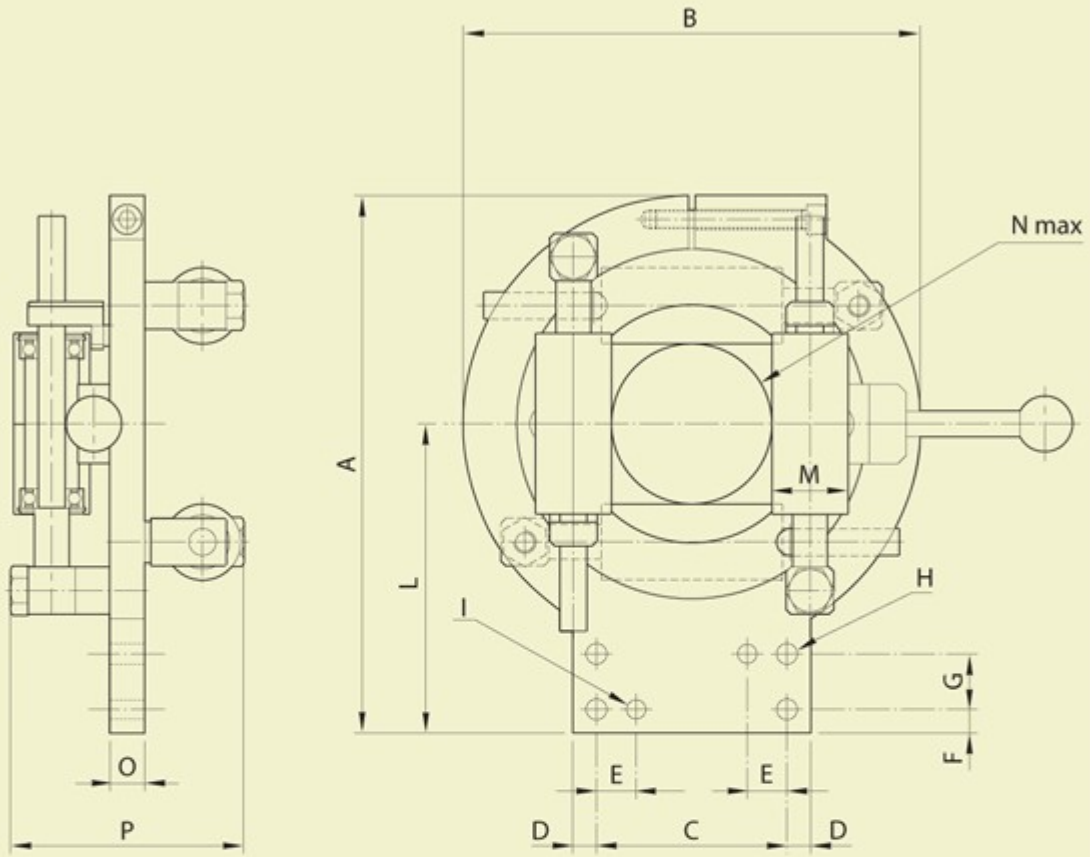


Il centratore per cavo, è costituito con passaggi da diametri 50 - 100 - 150 mm.

Cable centering device manufactures for diameters 50 - 100 - 150 mm.
Locking and release self centering with locking screw on the selected diameter.



CENTRACAVO
CABLE CENTERING



TIPO/TYPER	CC - 50	CC - 100	CC - 150
A	187	339	425
B	154	288	370
C	70	120	160
D	10	15	20
E	15	25	30
F	10	15	20
G	20	35	45
∅H	9	13	16,5
∅I	8	12	16
L	110	195	240
M	30	48	57
N max	50	100	150
O	15	22	27
P	93	147	175



cometo



AITMAC, INC

ADVANCED INDUSTRIAL TECHNOLOGIES & MACHINES, INC

329 Rayette Rd, Unit 14, Concord, Ontario, L4K 2G1. Canada
E-mail: sales.aitmac.ca@gmail.com • <http://www.aitmac-ca.com>
Tel: (905) 761-6165 • Fax: (905) 761-6168

